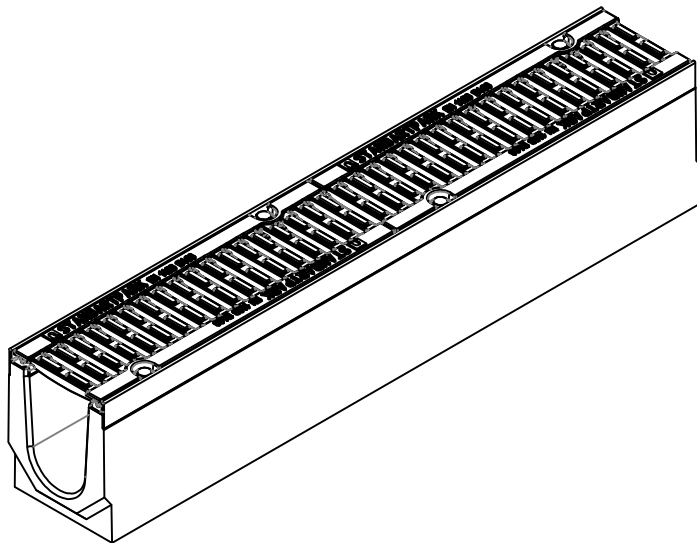
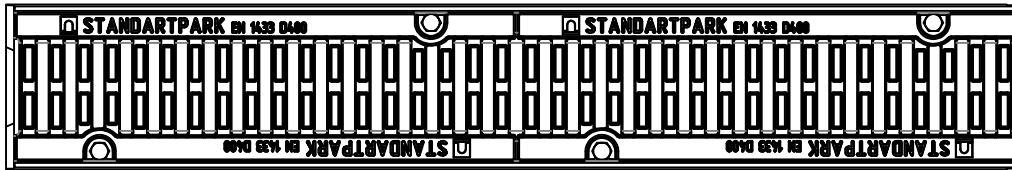
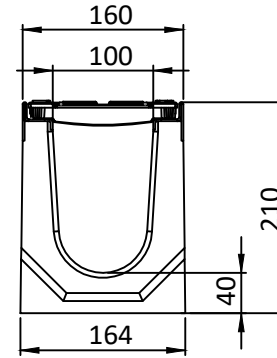
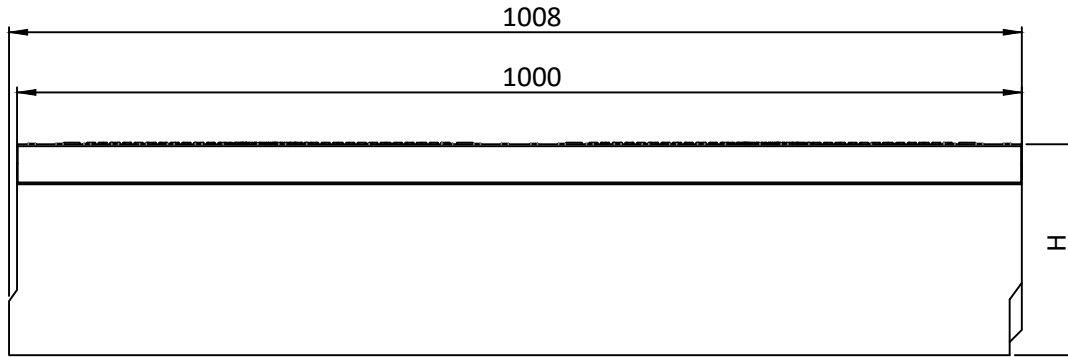


040071334/210



				<b>Concrete channel Drive with grating slotted</b>			
Rev	Sheet	Doc. No.	Sign.	Data	Let.	Weight	Scale
				25.07.18		50.88	1:5
Dvlpd by Kozhukh O.					<b>040071334/210</b> <b>Load Class D</b>		
Chkd by Neagoe R.							
Contact tehnic@standartpark.ro					Sheet		Sheets 1
					Concrete, Steel, Ductile Cast Iron		